

Data Sheet

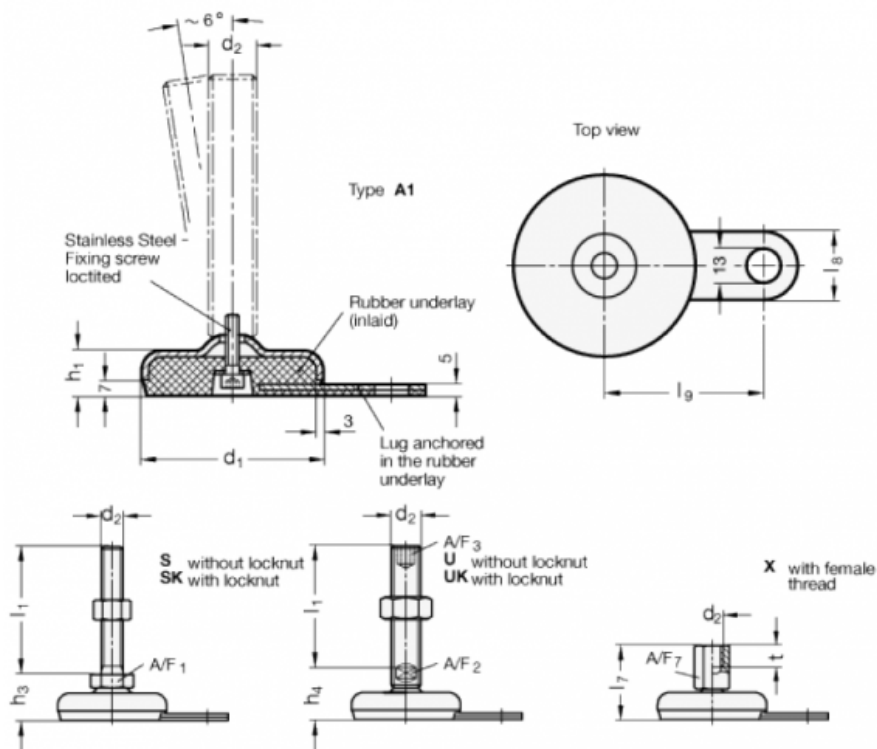


Article number: 203260M12125A1S

Description: E+G levelling foot
GN 32-60-M12-125-A1-S

Note: S Without nut, External hexagon at the bottom

Measures



A/F1	=	17
d1	=	60
d2	=	M12
h1	=	19
h3	=	27
l1	=	125
l8	=	25
l9	=	50